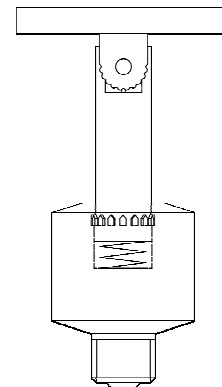
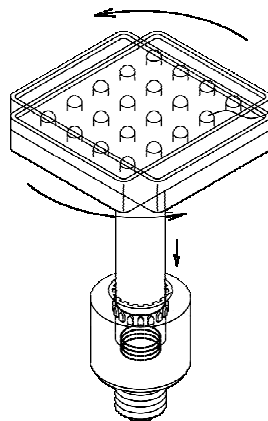
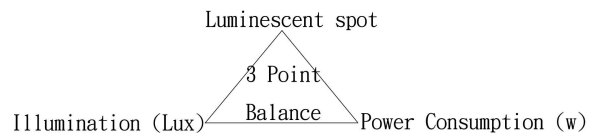
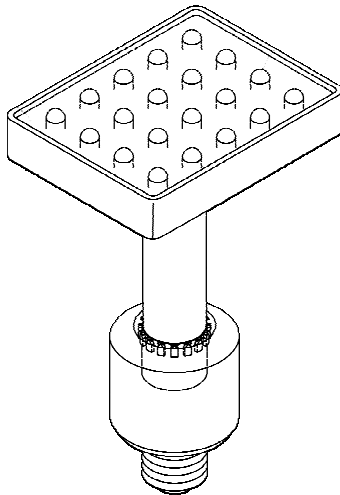


Force on 3 points balanced and light shade or light wave direction of LED light solution.

3 point balanced ( Power consumption (w), Luminescent spot , Illumination (Lux) ) are very important , If the lamp overheated which will reduce its life.

Protect Eyes, Save Energy, Reduce Waste .....

## 3D LED T Lamps Universal Type



4W 110 /220v;100 /300v , 70Lm/w, 3000-5000k  
Beam angle: 15, 30, 60, 120 degree. (Options)

- Can be screw on most of recessed light housings.
  - 360 degree swivel and 160 degree folding.
- Suit most of light fixtures: wall, show case, display area, wall corner etc.
- If use narrow beam angle 15 degree , can be in stead of spot light.
  - Use wide beam angle 120 degree , has a big area illumination.
  - Any angle you wanted. Easy to make light shade and direction.
  - The best choice for indoor designers in the world.

Maxflow Products Co., Ltd. 10/F. NO.66, Dazong East Street, Situn District, Taichung City 407, Taiwan

Copyright 2010 Tel: +886 4 23272766 Fax: + 884 23262819 [www.maxflo.com.tw](http://www.maxflo.com.tw) [maxflo@ms2.hinet.net](mailto:maxflo@ms2.hinet.net) Verb-05